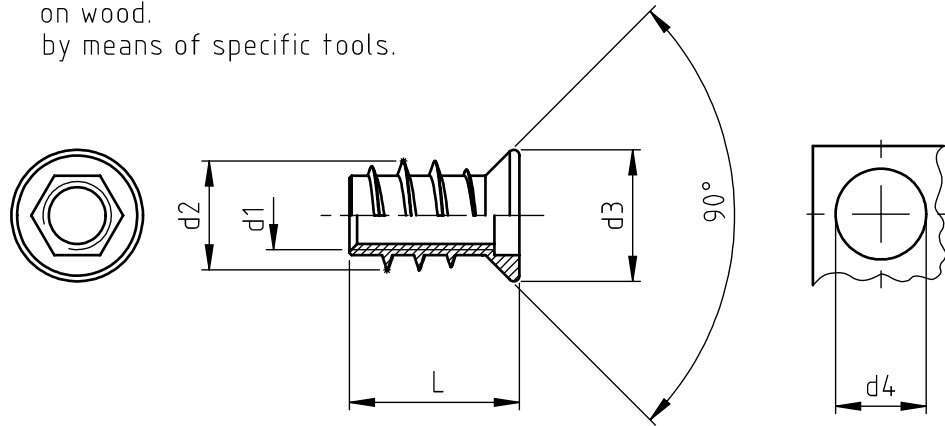


Application: on wood.
 Assembly: by means of specific tools.



code	zama	steel	metric thread d1	external diameter d2	head diameter d3	total length L	diameter hole d4	minimum hole depth
M04X7XH10 EI			M 4	7	9	10	5,5 ÷ 6,0	13
M05X10XH13 EI		--	M 5	10	12	13	7,7 ÷ 8,2	16
M06X10XH10 EI		--	M 6	10	12	10	7,7 ÷ 8,2	13
M06X10XH13 EI		13				16		
M06X10XH15 EI		15				18		
M06X10XH17 EI		17				20		
M06X10XH20 EI		20				23		
M06X10XH24 EIAC	--	24				27		
M08X12XH13 EI			M 8	12	14	13	9,7 ÷ 10,2	16
M08X12XH15 EI		15				18		
M08X12XH17 EI		17				20		
M08X12XH20 EI		20				23		
M08X12XH22 EI		22				25		
M08X12XH24 EI		24				27		
M10X15XH20 EI			M 10	15	17	20	12,4 ÷ 12,9	24
M10X15XH25 EIAC	--	25				29		

Approximate, non binding dimensions, expressed in mm.

Standard
 On demand
 Not manufactured

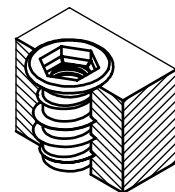
Material: zama _____ EI
 steel _____ EIAC

Finishing: zama bushes: in natural state
 steel bushes: white zinc-plating

Thread d1: ISO metric

Tolerances: according to DIN 7168 - average /
 ISO 2768 - m

Example: hexagonal socket zama bush, M 6 thread,
 15 mm length:
 M6X10XH15EI



M6X10XH15EI

SPECIALINSERT, COMMITTS ITSELF TO CONTINUOUSLY IMPROVE ITS PRODUCTS. IT RESERVES THE RIGHT TO CHANGE THEIR TECHNICAL AND STRUCTURAL CHARACTERISTICS WITHOUT PRIOR NOTICE. ALL RIGHTS ARE RESERVED AND THE DUPLICATE, EVEN PARTIAL OF THESE DOCUMENTS, AS WELL AS ITS DISTRIBUTION TO THIRD PARTIES ARE FORBIDDEN, UNLESS OTHERWISE AND EXPRESSLY AUTHORIZED BY SPECIALINSERT.