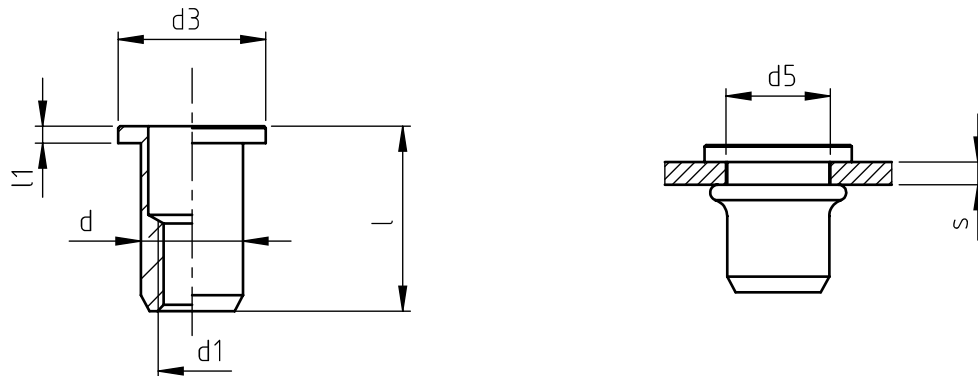


Application: metal and not metal sheets.
Assembly: with special hand or pneumatic tools.



code	s grip	l	d1	d	d3	l1	d5 +0,15 0
TC M 4/K	0,5 ÷ 2,0	12,0	M 4	6,0	9,0	1,0	6,0
TC M 5/K	0,5 ÷ 3,0	12,5	M 5	7,0	10,0	1,0	7,0
TC M 6/K	0,5 ÷ 3,0	16,0	M 6	9,0	12,0	1,5	9,0
TC/L M 6/K	3,0 ÷ 5,0	18,0				1,5	
TC M 8/K	0,5 ÷ 3,0	17,5	M 8	11,0	15,0	1,5	11,0
TC M10/K	0,8 ÷ 3,5	23,0	M10	13,0	17,0	1,5	13,0

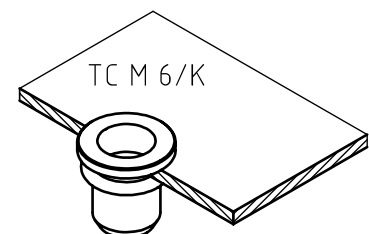
Non binding dimensions, expressed in mm.

Standard
 On demand
 Not manufactured

Material: stainless steel AISI 316

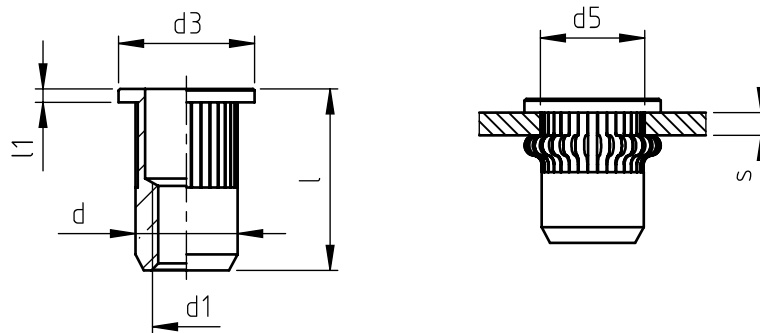
Finishing: natural

Example: blind threaded nut, cylindrical head,
round shank, stainless steel,
grip 2,0 mm, M 6 thread:
TC M 6/K



SPECIALINSERT - COMMITS ITSELF TO CONTINUOUSLY IMPROVE ITS PRODUCTS - IT RESERVES THE RIGHT TO CHANGE THEIR TECHNICAL AND STRUCTURAL CHARACTERISTICS WITHOUT PRIOR NOTICE - ALL RIGHTS ARE RESERVED AND THE DUPLICATE, EVEN PARTIAL OF THESE DOCUMENTS, AS WELL AS ITS DISTRIBUTION TO THIRD PARTIES, ARE FORBIDDEN, UNLESS OTHERWISE AND EXPRESSLY AUTHORIZED BY SPECIALINSERT.

Application: metal and not metal sheets.
Assembly: with special hand or pneumatic tools.



code	s grip	l	d1	d	d3	l1	d5 +0,15 0
TC M 4/KZ	0,5 ÷ 2,0	12,0	M 4	6,0	9,0	1,0	6,0
TC M 5/KZ	0,5 ÷ 3,0	12,5	M 5	7,0	10,0	1,0	7,0
TC M 6/KZ	0,5 ÷ 3,0	16,0	M 6	9,0	12,0	1,5	9,0
TC/L M 6/KZ	3,0 ÷ 5,0	18,0					
TC M 8/KZ	0,5 ÷ 3,0	17,5	M 8	11,0	15,0	1,5	11,0
TC M10/KZ	0,8 ÷ 3,5	23,0	M10	13,0	17,0	1,5	13,0

Non binding dimensions, expressed in mm.

Standard
 On demand
 Not manufactured

Material: stainless steel AISI 316

Finishing: natural

Example: blind threaded nut, cylindrical head,
round knurled shank, stainless steel 316,
grip 2,0 mm, M 6 thread:
TC M 6/KZ

