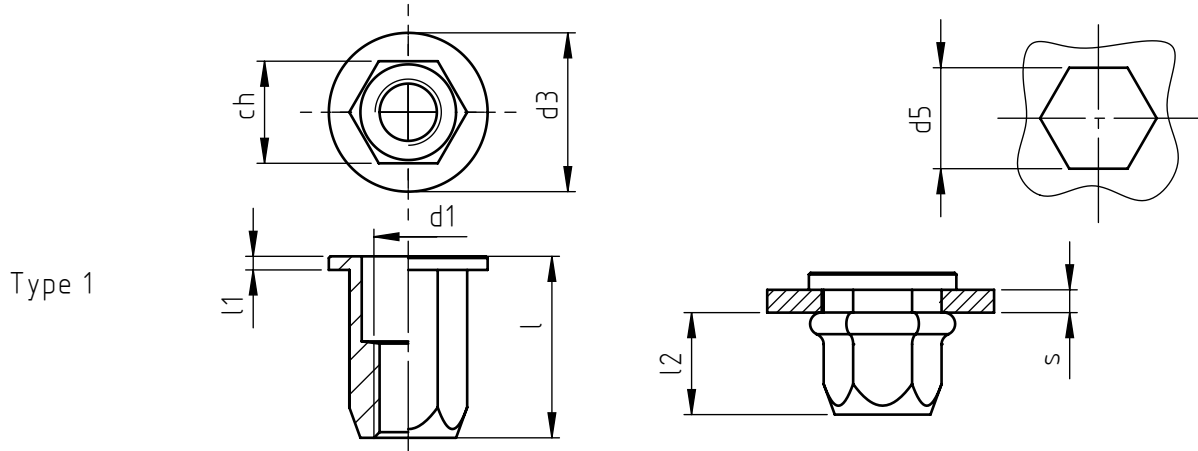


Application: metal and not metal sheets.
Assembly: with special hand or pneumatic tools.



Type 1

code	steel	stainless steel	s grip	l	d1 6H	ch	d3	l1	d5 +0,15 0	l2 *
**10448A1/M 3/ _	8	--	0,5 ÷ 2,0	10	M 3	5	8	0,8	5	6
**10448B1/M 3/ _	8	--	2,0 ÷ 3,5	11						
10448A1/M 4/ _	8	X	0,5 ÷ 2,0	10,5	M 4	6	9	0,8	6	6,5
10448B1/M 4/ _	8	X	2,0 ÷ 4,0	12,5						
10448A1/M 5/ _	8	X	0,5 ÷ 2,5	12,5	M 5	7	10	1	7	7
10448B1/M 5/ _	8	X	2,5 ÷ 4,5	14,5						
10448A1/M 6/ _	8	X	0,5 ÷ 3,0	16	M 6	9	12	1,2	9	9,5
10448B1/M 6/ _	8	X	3,0 ÷ 5,5	18,5						
10448A1/M 8/ _	8	X	0,5 ÷ 3,5	17	M 8	11	14	1,3	11	9,5
10448B1/M 8/ _	8	X	3,5 ÷ 6,0	19,5						
10448A1/M10/ _	8	X	0,5 ÷ 3,5	21,5	M10	13	17	1,7	13	12,5
10448B1/M10/ _	8	X	3,5 ÷ 6,0	24						

Non binding dimensions, expressed in mm.

* Dimension determined from the average of the grip "s" min and max values.

** No UNI standard.



Standard



On demand



Not manufactured

Ref. UNI 10448 standard

Material: steel nr.1.0303

stainless steel nr. 1.4567

___ / ___ / 8
___ / ___ / X

Finishing: steel: white zinc-plated
stainless steel: natural

Tolerances: according to UNI standards EN 22768-1

Thread: ISO 6 H metric

Example: blind threaded nut, cylindrical head,
hexagonal shank, stainless steel,
grip 2,0 mm, M 6 thread:

10448A1/M 6/X

