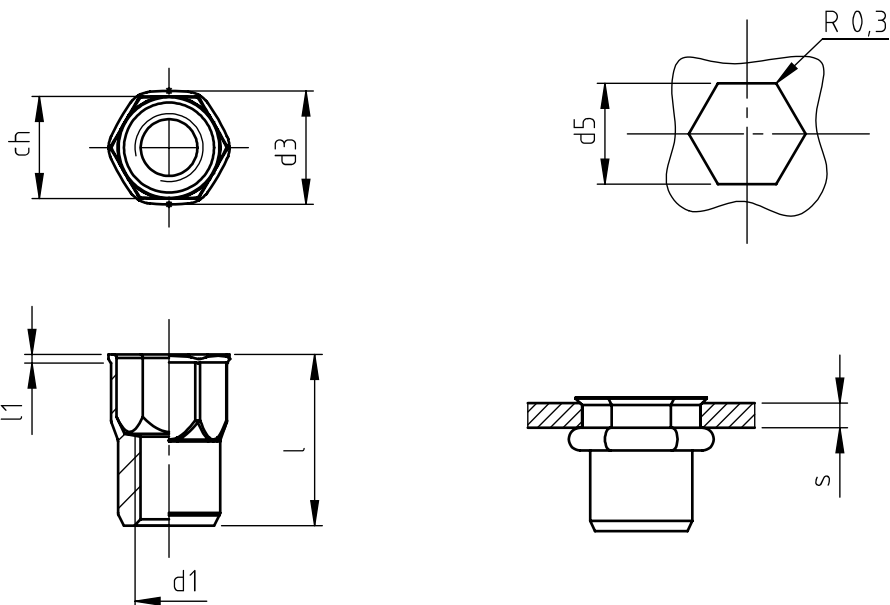


Application: metal and not metal sheets.
Assembly: with special hand or pneumatic tools.



| code | s grip | l | d1 | ch | d3 | l1 | d5 +0,15 0 |
|-------------|-----------|------|-----|------|------|-----|------------------|
| E TFM M 4/K | 0,5 ÷ 2,0 | 11,0 | M 4 | 6,0 | 6,5 | 0,5 | 6,0 |
| E TFM M 5/K | 0,5 ÷ 3,0 | 12,0 | M 5 | 7,0 | 7,5 | 0,5 | 7,0 |
| E TFM M 6/K | 0,5 ÷ 3,0 | 14,5 | M 6 | 9,0 | 9,5 | 0,5 | 9,0 |
| E TFM M 8/K | 0,5 ÷ 3,0 | 16,0 | M 8 | 11,0 | 11,5 | 0,5 | 11,0 |

Non binding dimensions, expressed in mm.

Standard
 On demand
 Not manufactured

Material: stainless steel AISI 316

Finishing: natural

Example: blind thread nut, low profile head
semi-hexagonal shank,
stainless steel 316, grip 2,0 mm,
M 6 thread:

E TFM M 6/K

