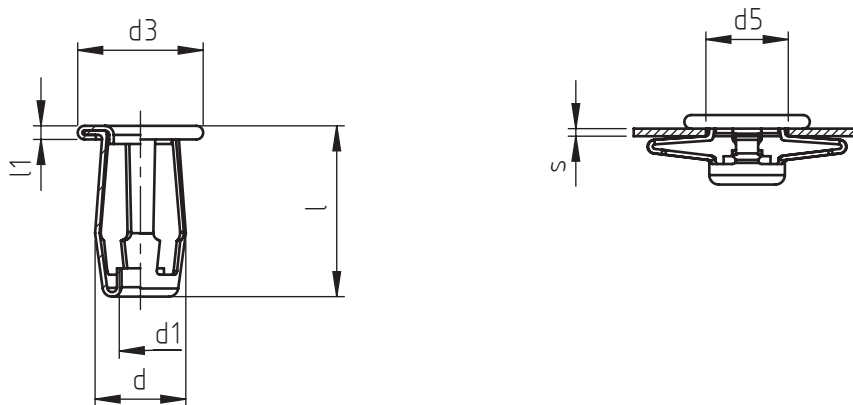


Application: fragile materials, plastic sheets and other materials.
 Assembly: place the insert on the hole. Assembly and deformation of the insert are achieved by screwing. No special tool is required.

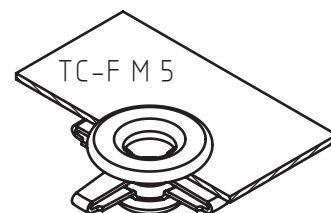


code	s grip	l	d1	d	d3	l1	d5
TC-F M 4	0,4 ÷ 4,8	16,8	M 4	8,2	12,3	1,6	8,3
TC-F/L M 4	4,8 ÷ 9,5	22,0					
TC-F M 5	0,4 ÷ 4,8	18,4	M 5	10,1	14,0	1,6	10,3
TC-F/L M 5	4,8 ÷ 9,5	23,2					
TC-F M 6	0,4 ÷ 4,8	18,4	M 6	12	16,2	1,6	12,3
TC-F/L M 6	4,8 ÷ 9,5	23,0					
TC-F M 8	0,4 ÷ 4,8	21,0	M 8	15,2	18,2	2	15,5
TC-F/L M 8	4,8 ÷ 8,0	25,0					

Non binding dimensions, expressed in mm.

Standard
 On demand
 Not manufactured

Material: steel
 Finishing: white zinc-plated
 Thread: metric
 Example: threaded flower insert, grip 2,0 mm,
 M 5 thread:
 TC-F M 5



SPECIALINSERT - COMMITS ITSELF TO CONTINUOUSLY IMPROVE ITS PRODUCTS. IT RESERVES THE RIGHT TO CHANGE THEIR TECHNICAL AND STRUCTURAL CHARACTERISTICS WITHOUT PRIOR NOTICE. ALL RIGHTS ARE RESERVED AND THE DUPLICATE, EVEN PARTIAL OF THESE DOCUMENTS, AS WELL AS ITS DISTRIBUTION TO THIRD PARTIES ARE FORBIDDEN, UNLESS OTHERWISE AND EXPRESSLY AUTHORIZED BY SPECIALINSERT.