

VL-M3X Very Low Profile Extra Heavy Duty 25KG



SPECIFICATIONS:

The VL-M3X is the strongest fixing in the Very Low Profile Range, ideal for more permanent fixings in applications such as settee arms in furniture, heavy artwork, and large, heavyweight interior panels. With a 25kg pull out load and 75kg shear load, the VL-M3X clips into the VL-F3H with no special tools required for installation. Can be used with a wide range of adhesives or screw fixed, according to application type.

VERY LOW PROFILE VL RANGE

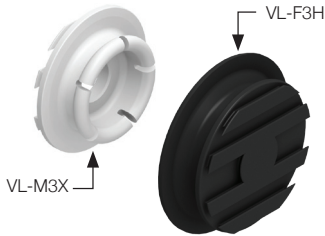
BENEFITS

- Self-aligning secure mounting
- Installation requires no special tools or skilled labour
- Uses a range of adhesives to suit the customer
- Fast installation
- 25kg pull out load
- 75kg shear load
- Clip lead in for easy fitting
- Can be screw fixed with lateral adjustment, or glue fixed

APPLICATIONS

- Arms for sofas and armchairs
- Heavy artwork
- Signage
- Large panels that need strong securing

VL-M3X 25kg



USE WITH:

VL-F3H

MATERIAL:

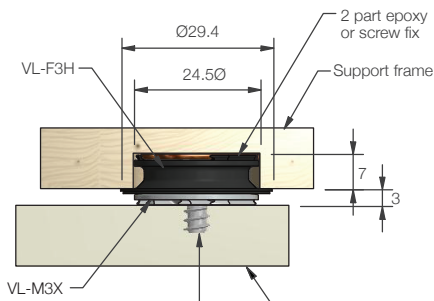
Glass-filled PBT

MORE INFO:

Installation Guide VL-03
Clip Layout Guide TD-02, 08, 09

INSTALLATION: Partially exploded through section showing typical installation method

Through section showing recessed installation



Through section showing surface mounted adhesive installation

