

PC-SM1AC Acoustic Surface Mount Male Adhesive Fix

INDUSTRY FIT: 

SPECIFICATIONS:

STANDARD PC RANGE

The acoustic surface mount male is an extension of the Fastmount system, designed for use with acoustic or extremely lightweight panels. The acoustic male clip can be bonded to the panel using Fastmount SuperGroove® Adhesive or in the case of polyester fibre composition acoustic panels, hot melt glue.

PC-SM1AC



USE WITH:

PC-F1A

PCRF1



PC-SF1

PC-AF1



MATERIAL:
Super flexible
copolymer

MORE INFO:
Installation Guide IG_PC-F1A, SF1, RF1
Clip Layout Guide TD-02, 09, 12

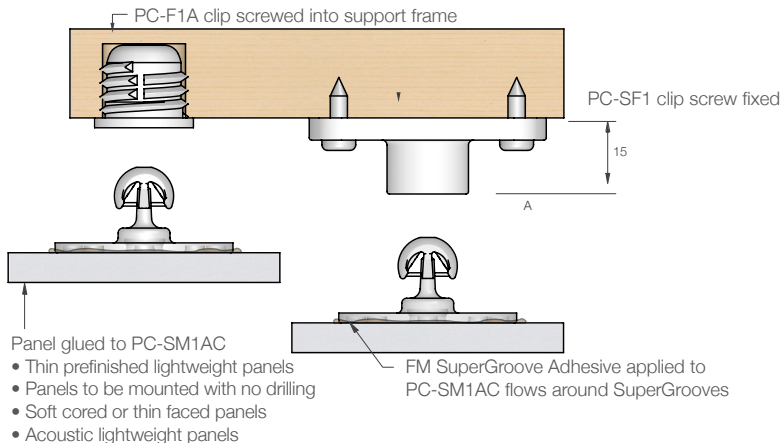
BENEFITS

- Self-aligning secure mounting (2kg pull out load)
- Installation requires no special tools
- Uses Fastmount SuperGroove Adhesive or hot melt glue
- No drilling of panels
- Works with existing Fastmount female clips in the Standard range
- Allows for flexing and expansion of panel and substrate frame
- Invisible fixings – no damage to face of panel
- Ability to remove and reinstall non-sequentially rapidly

APPLICATIONS

- Mounting extremely lightweight panels or acoustic panels
- Soft, low density panels - polyester fibre type, foam.
- Ideal for office retro-fits

INSTALLATION: Partially exploded through section showing typical installation method



The Fastmount® multi-award winning system has revolutionized the mounting of panels. Panels can easily be removed and refitted in any sequence time after time. For further information or technical support contact: info@fastmount.com

