

STRATLOCK RAIL SYSTEM

BY FASTMOUNT

Setting the standard for panel mounting

PRODUCT SHEET

SL-M18 Stratlock® Male 18kg

SL-M18-FR Stratlock® Male 18kg - Fire Rated



SPECIFICATIONS:

STRATLOCK SL RANGE

The SL-M18 attaches to the panel, and mounts into either SL-FA, SL-SFA, SL-FB or SL-FC for rapid mounting of heavy panels to aluminium or steel extrusion framework. The SL-M18-FR/ SL-M18-FR can be combined with fire-rated female clips from the Stratlock Range where fire-resistance is required. Featuring a two-stage engagement head, the SL-M18 engages into the new solid internal load chassis to give 4mm supported movement in any direction before locking into place. Option to fix into panel with 1 or 3 #8 screws or Fastmount SuperGroove Adhesive. Combined with any female clip from the Stratlock Range, the SL-M10/SL-M18 / SL-M18-FR has an 10/18kg pull out load and high shear strength. No special tools required for installation. Patent Pending. Refer to Panel Offset Guide for gap between substrate and panel, pull out and shear loads.

BENEFITS

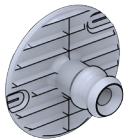
- Strongest mounting available
- Supported movement of the panel 4mm in any direction before locking into final position.
- Screw fix with 1 or 3 #8 screws, or Fastmount SuperGroove Adhesive or SuperGroove Adhesive fix
- No special tools required
- Acoustic isolation between panel and frame
- Fits into SL-FA / SL-FA-FR, SL-SFA / SL-SFA-FR, SL-FB / SL-FB-FR and SL-FC / SL-FC-FR
- 18kg pull out load & high shear strength

APPLICATIONS

- Commercial interior fit out
- Mounting heavier ceiling and wall panels
- Hotels, hospitals, retail, residential
- Superyacht deckheads
- Fire-rated interiors

SL-M18 18kg

SL-M18-FR 18kg



NEW !

MATERIAL:

Off white glass-filled nylon
Black Shintite



NEW !

USE WITH:

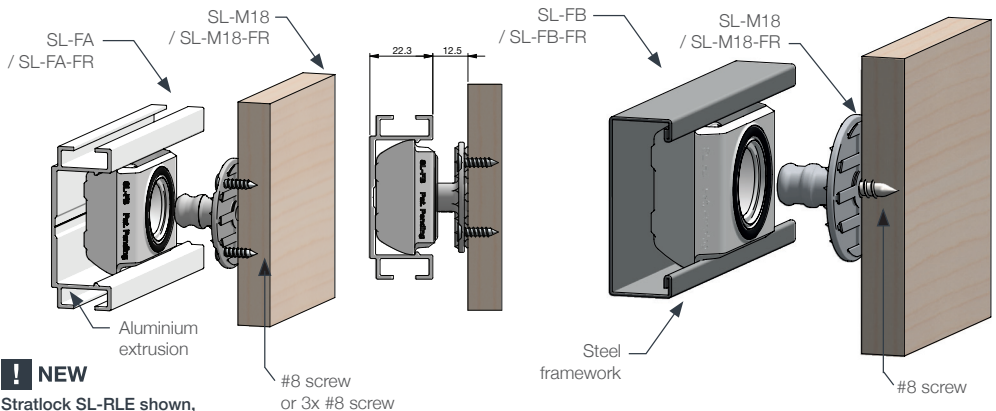
SL-FA / SL-FA-FR
SL-SFA / SL-SFA-FR
SL-FB / SL-FB-FR
SL-FC / SL-FC-FR

MORE INFO:

Installation Guide SL-FA,
SL-SFA, SL-FB, SL-FC
Clip Layout Guide TD-15
Panel Offset Guide



INSTALLATION: Partially exploded through section showing typical installation method



! NEW

Stratlock SL-RLE shown, available 2021

Creating and decorating aluminium framework has never been faster or more flexible. With only one profile required and adaptable connectors, the Stratlock Rail System is a foolproof way to create a consistent substrate for the perfect panel finish. For further information or technical support contact: info@fastmount.com