

**SL-SFA** Stratlock® Female Side Mount – for timber  
**SL-SFA-FR** Stratlock® Female Side Mount - fire rated  
**SPECIFICATIONS:**

INDUSTRY FIT:



**STRATLOCK SL RANGE**

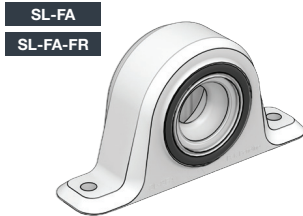
The SL-SFA provides rapid installation of heavy panels to timber, steel or aluminium framework, with a fire-rated option available as the SL-SFA-FR. Designed specifically for contract interior fitout applications to reduce onsite installation time. Female installs onto side of framework with with 2 x #8 panhead screws (20mm) in timber frames, and #8 tek screws (20mm) into steel or aluminium framework. Used with the SL-M18 / SL-M18-FR the new solid internal load chassis creates 4mm supported movement of the panel in any direction at the first engagement before locking into place with an 18kg pull out load. The distance between the panel and substrate when installed is 10.5mm at the first click, and 5mm when pressed into final position. Patent Pending.

**BENEFITS**

- Strongest mounting available
- Side mount with rapid screw fixing
- Supported movement of the panel 4mm in any direction before locking into final position.
- No special tools required for installation
- Acoustic isolation between panel and frame
- 18kg pull out load with male clips
- 5mm clearance between panel and frame
- SL-SFA-FR available in V-0 rated FR nylon

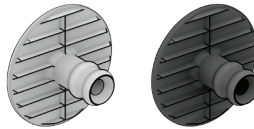
**APPLICATIONS**

- Commercial interior fitout
- Residential interior fitout
- Architectural applications
- Mounting heavy wall panels
- Fire rated interior panels



**NEW PRODUCT**

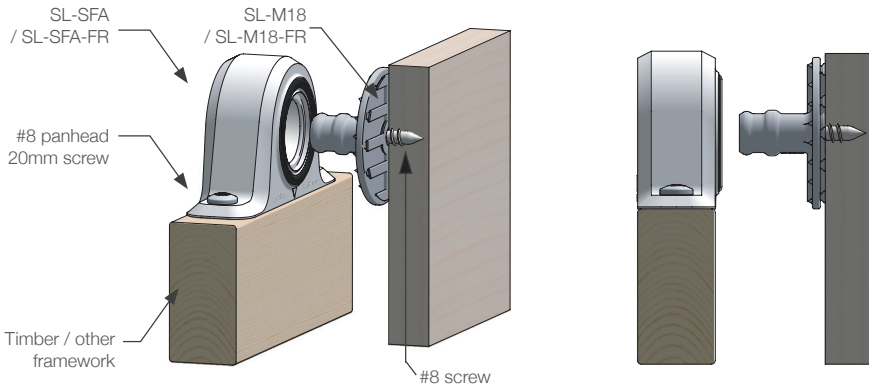
**USE WITH:**  
SL-M18 or SL-M18-FR



**MATERIAL:**  
White acetyl, rubber o-ring  
FR Nylon, rubber o-ring

**MORE INFO:**  
Installation Guide SL-SFA  
Clip Layout Guide TD-15

**INSTALLATION:** Partially exploded through section showing typical installation method



The Fastmount® multi-award winning system has revolutionized the mounting of panels. Panels can easily be removed and refitted in any sequence time after time. For further information or technical support contact: [info@fastmount.com](mailto:info@fastmount.com)